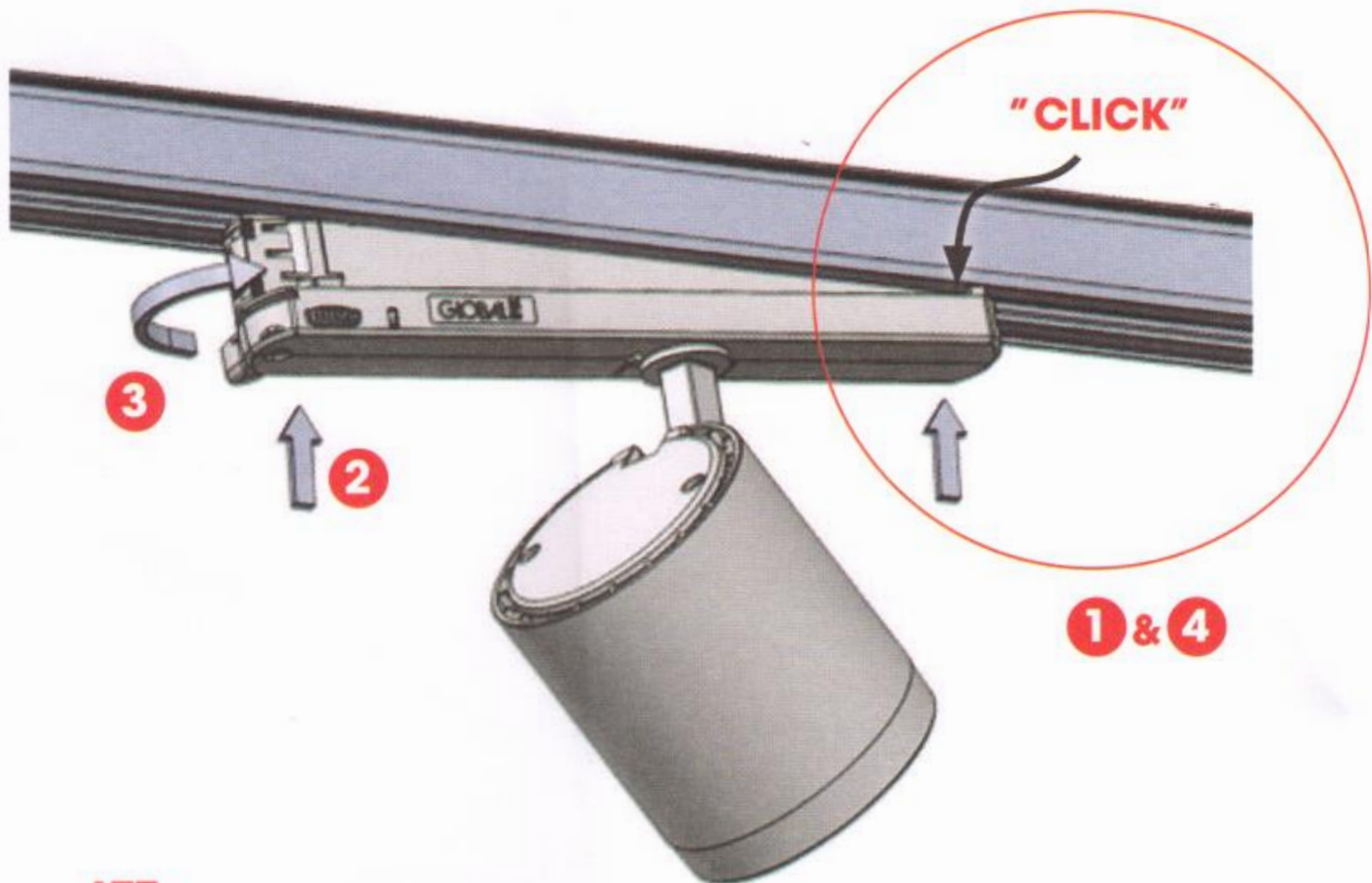


INSTRUCTION MANUAL GA-SERIES



ATT:

Before starting to install the luminaires, make sure that the track is wired and installed as instructed!

Moment 1.

Fix the non-electrical end of the adapter driver into the track. A distinctive 'click' sound and feel indicates proper fixing

Moment 2.

Fix the electrical end of the adapter driver into the track

Moment 3.

Turn the handle to the locked position, and choose phase 1, 2 or 3, by rotating the phase selector wheel

Moment 4.

Check and verify proper installation by ensuring the non-electrical end of the adapter driver to be locked